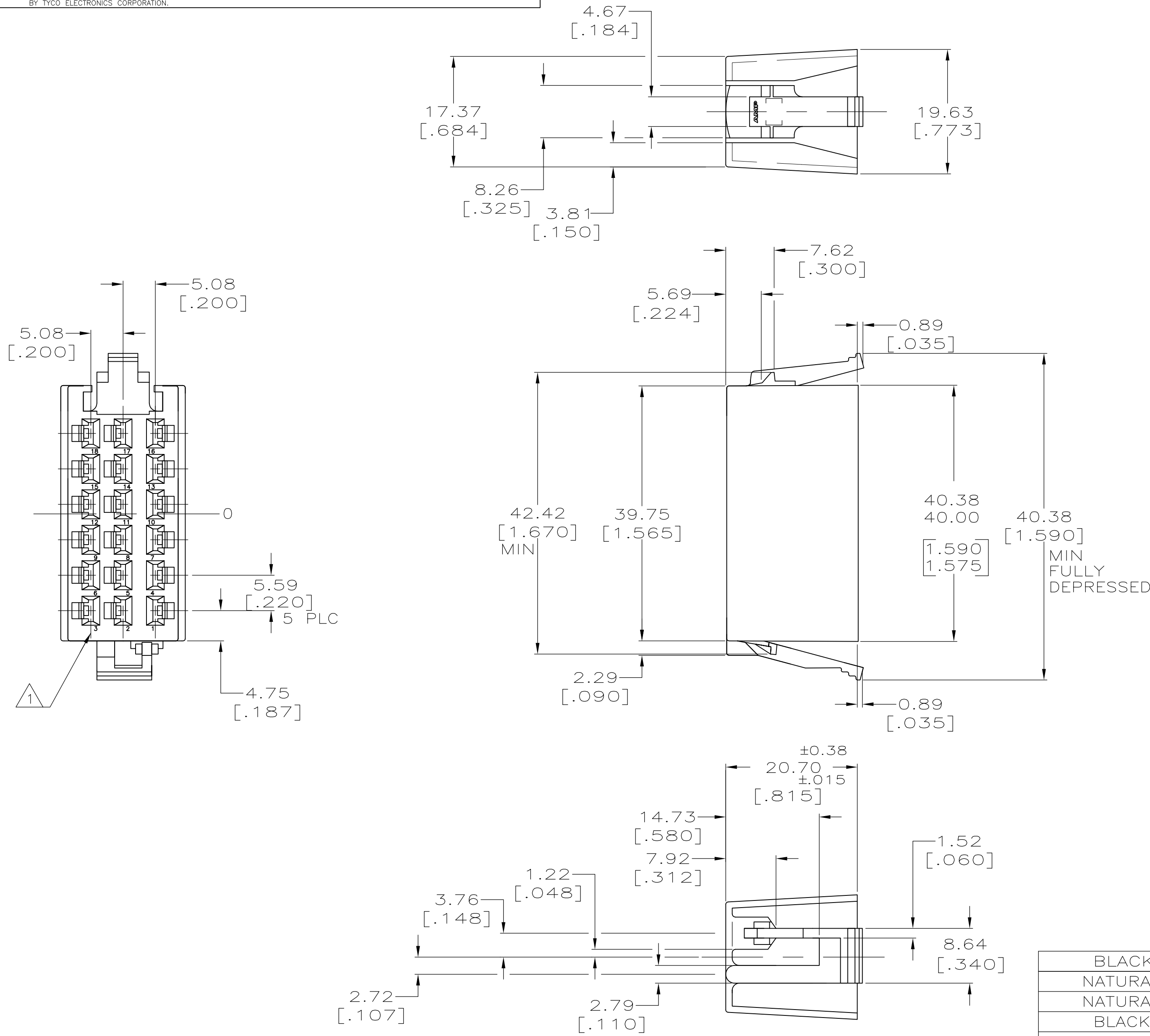


THIS DRAWING IS UNPUBLISHED. RELEASED FOR PUBLICATION  
 © COPYRIGHT BY TYCO ELECTRONICS CORPORATION. ALL RIGHTS RESERVED.

LOC	DIST	REVISIONS					
		P	LTR	DESCRIPTION	DATE	DWN	APVD
AF	50		V1	REVISED PER ECR-07-002546	02FEB07	HMR	KJ
			V2	REVISED PER ECO-10-000443	18JAN10	KK	AEG

- 1 CIRCUIT IDENTIFICATION.
- 2 FOREIGN PRODUCTION ONLY.
- 3 OBSOLETE PARTS: OBSOLETE CIS STREAMLINING PER D.RENAUD/D.SINISI



FINISH	MATERIAL	PART NUMBER
BLACK	NYLON 6/66, UL 94V-0	770199-4
NATURAL	NYLON 6/6	2 770199-3
NATURAL	NYLON 6/6, UL94 V-0	2 770199-2 3
BLACK	NYLON 6/6	770199-1

THIS DRAWING IS A CONTROLLED DOCUMENT.		DWN M.S. FEHER 10NOV2000	Tyco Electronics Corporation Harrisburg, Pa 17105-3608	
DIMENSIONS: mm [INCHES]		CHK J.R. RUTH 10NOV2000	NAME DON DECKER	
TOLERANCES UNLESS OTHERWISE SPECIFIED:		APVD 10NOV2000	PRODUCT SPEC	
0 PLC ± -		APPLICATION SPEC		
1 PLC ± -		WEIGHT		
2 PLC ± 0.25 [.010]		SCALE		
3 PLC ± -		SHEET		
4 PLC ± -		OF		
ANGLES ± -		REV		
FINISH		CUSTOMER DRAWING		
SEE TABLE		A2 00779 C=770199		
SEE TABLE		2:1 1 1 V2		